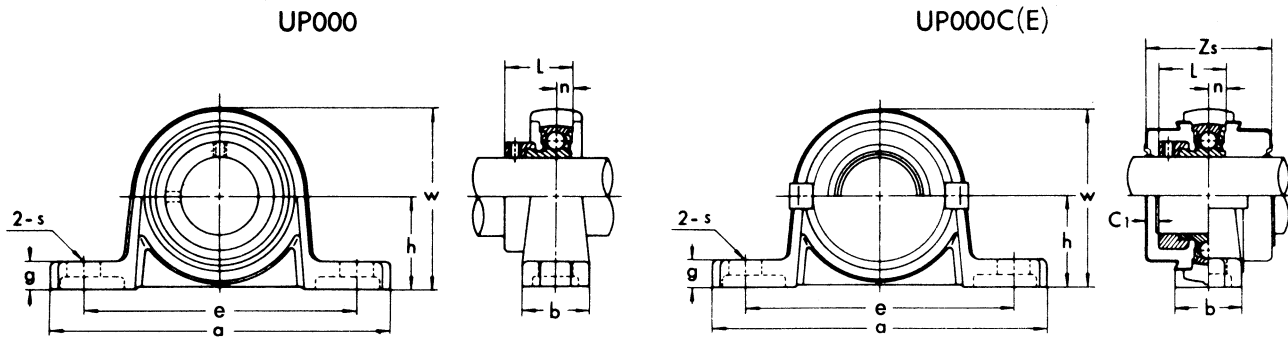


Pillow blocks Eccentric locking collar type

UP000 type

UP000C(E) type



Shaft dia. (mm)	Unit No.	Dimensions (mm)											Mounting bolt size
		h	a	e	b	s	g	w	L	n	C1	Zs	
8	* UP08	15	55	42	13	4.8	5	29	15	3.5	—	—	M 4
10	UP000	18	67	53	16	7	6	35	17.5	4	2	33	M 6
12	UP001	19	71	56	16	7	6	38	17.5	4	2	33	M 6
15	UP002	22	80	63	16	7	7	43	18.5	4.5	2	34	M 6
17	UP003	24	85	67	18	7	7	47	20.5	5	2	38	M 6
20	UP004	28	100	80	20	10	9	55	24.5	6	3	46	M 8
25	UP005	32	112	90	20	10	10	62	25.5	6	3	47	M 8
30	UP006	36	132	106	26	13	11	70	26.5	6.5	4	50	M10

Bearing No.	Bearing		Housing No.	Unit No. with covers	Stainless steel cover No.		Weight (g)		
	Basic load rating (kgf) (1 kgf=9.8N)				Open(closed)	Open	Closed	Normal	With cover
	Cr	Cor							
U08 + ER	340	170	* P08	—	—	—	47	—	
U000 + ER	470	200	P000	UP000C(E)	000CP10	000CPE	77	85	
U001 + ER	520	245	P001	UP001C(E)	001CP12	001CPE	91	100	
U002 + ER	570	290	P002	UP002C(E)	002CP15	002CPE	125	135	
U003 + ER	610	335	P003	UP003C(E)	003CP17	003CPE	156	170	
U004 + ER	955	515	P04-5	UP004C(E)	04-5CP20	04-5CPE	230	250	
U005 + ER	1030	595	P05-6	UP005C(E)	05-6CP25	05-6CPE	294	315	
U006 + ER	1350	845	P06-7	UP006C(E)	06-7CP30	06-7CPE	454	480	

Note: *For availability of UP08, please check with us.
Cr: Dynamic load rating, Cor: Static load rating

●Tolerances

In conformity with JIS B 1558 on ball bearings for units and JIS B 1559 on housings for bearing units.

●Operating temperature range

-10°C to +80°C. For operating temperature beyond this range, please consult us.

●Shaft selection

Unit: μm

Shaft dia. (mm)		js7	h7
Over	Incl.		
6	10	± 7.5	0~-15
10	18	± 9	0~-18
18	30	± 10.5	0~-21
30	50	± 12.5	0~-25

Note: Use tight fit for applications involving high speed and vibration.