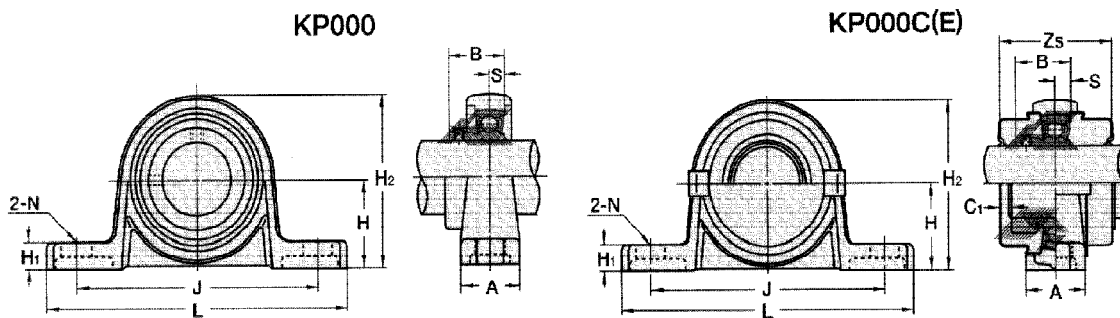


Pillow blocks Set-screw type
KP000 type
KP000C(E) type



Shaft dia. (mm)	Unit No.	Dimensions (mm)											Mounting bolt size
		H	L	J	A	N	H ₁	H ₂	B	S	C ₁	Z _s	
10	KP000	18	67	53	16	7	6	35	14	4	5.5	33	M 6
12	KP001	19	71	56	16	7	6	38	14.5	4	5	33	M 6
15	KP002	22	80	63	16	7	7	43	16.5	4.5	4	34	M 6
17	KP003	24	85	67	18	7	7	47	17.5	5	5.5	38	M 6
20	KP004	28	100	80	20	10	9	55	21	6	7	46	M 8
25	KP005	32	112	90	20	10	10	62	22.5	6	6	47	M 8
30	KP006	36	132	106	26	13	11	70	24.5	6.5	6	50	M10

Bearing No.	Bearing		Housing No.	Unit No. with covers	Stainless steel cover No.		Weight (g)	
	Basic load rating (N)				Open (closed)	Open	Closed	Normal
	Cr	Cor						
K000	4600	2000	P000	P000C(E)	000CP10	000CPE	70	78
K001	5100	2400	P001	P001C(E)	001CP12	001CPE	80	89
K002	5600	2800	P002	P002C(E)	002CP15	002CPE	120	130
K003	6000	3300	P003	P003C(E)	003CP17	003CPE	140	154
K004	9350	5100	P04-5	P004C(E)	04-5CP20	04-5CPE	210	230
K005	10100	5800	P05-6	P005C(E)	05-6CP25	05-6CPE	270	291
K006	13200	8300	P06-7	P006C(E)	06-7CP30	06-7CPE	410	436