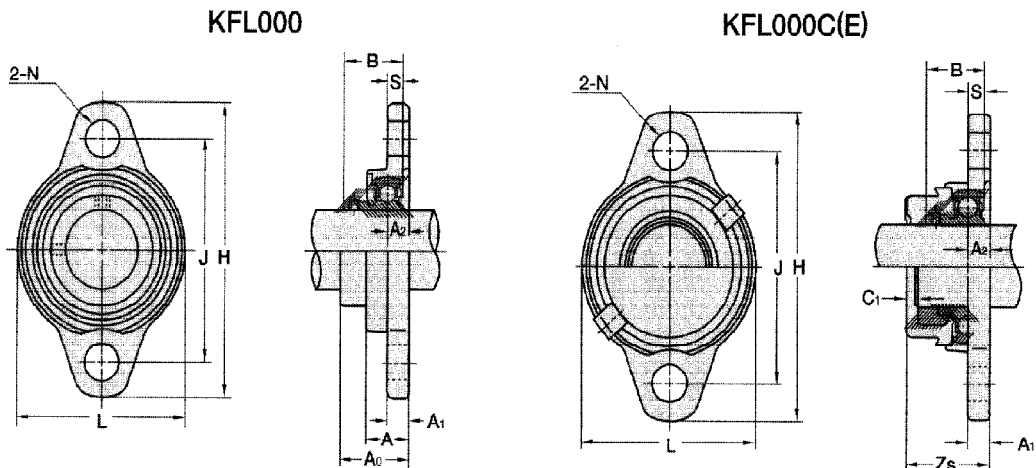


Two-bolt flange units Set-screw type

KFL000 type

KFL000C(E) type



Shaft dia. (mm)	Unit No.	Dimensions (mm)												Mounting bolt size
		H	J	A <sub>1</sub>	A <sub>2</sub>	A	N	L	A <sub>0</sub>	B	S	C <sub>1</sub>	Z <sub>s</sub>	
10	KFL000	60	45	5.5	5.5	11.5	7	36	15.5	14	4	6	22	M 6
12	KFL001	63	48	5.5	5.5	11.5	7	38	16	14.5	4	5.5	22	M 6
15	KFL002	67	53	6.5	6.5	13	7	42	18.6	16.5	4.5	5	24	M 6
17	KFL003	71	56	7	7	14	7	46	19.5	17.5	5	6	26	M 6
20	KFL004	90	71	8	8	16	10	55	23	21	6	7.5	31	M 8
25	KFL005	95	75	8	8	16	10	60	24.5	22.5	6	7	32	M 8
30	KFL006	112	85	9	9	18	13	70	27	24.5	6.5	6.5	34	M10

Bearing No.	Bearing		Housing No.	Unit No. with covers	Stainless steel cover No.		Weight (g)		
	Basic load rating (N)				Open(closed)	Open	Closed	Normal	With cover
	C <sub>r</sub>	C <sub>0r</sub>							
K000	4600	2000	FL000	KFL000C(E)	000CP10	000CPE	50	55	
K001	5100	2400	FL001	KFL001C(E)	001CP12	001CPE	70	74	
K002	5600	2800	FL002	KFL002C(E)	002CP15	002CPE	90	95	
K003	6000	3300	FL003	KFL003C(E)	003CP17	003CPE	115	121	
K004	9350	5100	FL04-5	KFL004C(E)	04-5CP20	04-5CPE	190	200	
K005	10100	5800	FL05-6	KFL005C(E)	05-6CP25	05-6CPE	220	231	
K006	13200	8300	FL06-7	KFL006C(E)	06-7CP30	06-7CPE	340	356	

●Recommended tightening torque of set screws and axial load capacity

Applicable bearing Nos.	Set-screw No.	Hexagon key No.	Tightening torque (N.cm)	Axial load capacity (N)
K000, K001	M3×0.35	1.5	59	350
K002, K003	M4×0.5	2	147	430
K004~K006	M5×0.5	2.5	294	720